

# CB-NX Quick Change Collet Chucks



## CB-NX Collet Chucks - Dead Length Design

The CB-NX series collet chuck is a low profile dead length design with a reduced diameter nose for maximum tool clearance. In this design the collet is coupled to the chuck body and remains stationary as the tapered seat moves forward when the chuck is actuated. This design keeps the collet in a fixed Z axis position during clamping and does not create a pull back effect on the bar stock or workpiece.



### CB-NX Features

- *Dead Length* design produces no pull back on the workpiece
- Reduced diameter nose and short overall length provides increased tool clearance and maximum utilization of the machine's Z axis
- Radial adjusting screws to true-up the chuck
- Lubricated-for-life design requires minimal maintenance
- All components hardened and precision ground for highest accuracy and long life
- Stop plates, stop housings, and ejectors can be mounted inside the chuck body for chucking applications requiring end stops or part ejectors

Chuck Model	Spindle Nose	Collet Model	Collet Capacity
CB65-NX/A5	A2-5	65BZI	2.625" / 66mm
CB65-NX/A6	A2-6	65BZI	2.625" / 66mm
CB65-NX/A8	A2-8	65BZI	2.625" / 66mm
CB80-NX/A6	A2-6	80BZI	3.250" / 82.5mm
CB80-NX/A8	A2-8	80BZI	3.250" / 82.5mm

### CB-NX Standard Accessories

- Spindle adapter plate
- Threaded draw tube connector as required. Machine spindle drawing including draw tube dimensions and position must be submitted with order.

### CB-NX Optional Accessories

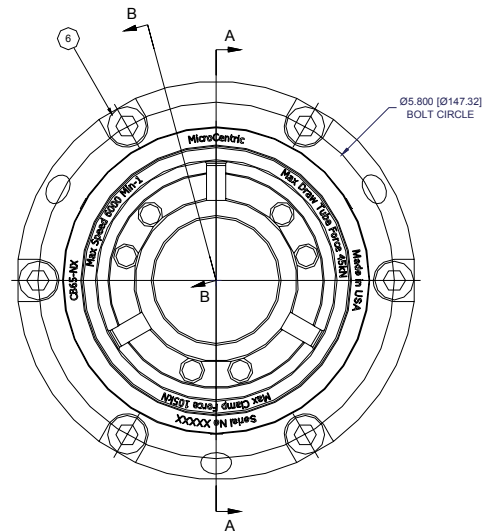
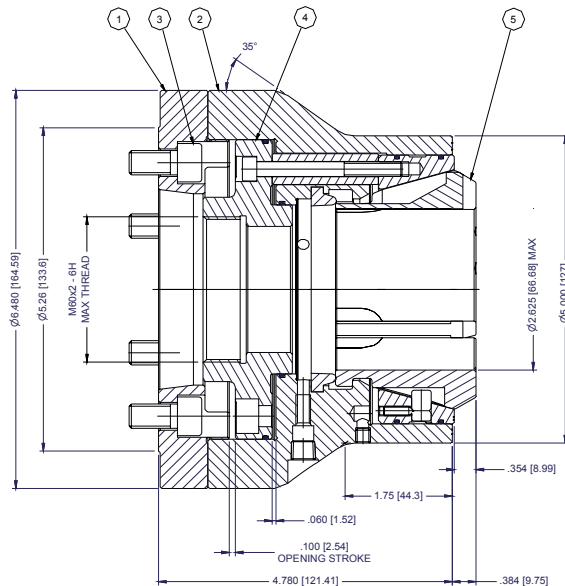
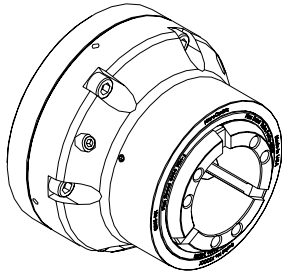
- Stop plates
- Stop housings
- Ejector assemblies

# CB65-NX/A5 Collet Chuck

## Specifications

<b>Spindle Nose</b>	A2-5
<b>Collet Model</b>	65BZI
<b>Accuracy (Max Radial Runout)</b>	.0004" / 0.010mm
<b>Collet Capacity (Max Clamping Diameter)</b>	2.625" / 66mm
<b>Collet Capacity (Min Clamping Diameter)</b>	.156" / 4mm
<b>Collet Clamp Range</b>	+/- .020" / 0.5mm
<b>Required Draw Tube Stroke</b>	.160" / 4mm
<b>Max Draw Tube Force</b>	10,116 lbs / 45 kN
<b>Max Clamping Force</b>	23,605 lbs / 105 kN
<b>Maximum Speed</b>	6,000 rpm
<b>Chuck Weight</b>	25.9 lbs / 11.8 kg

## Dimensions



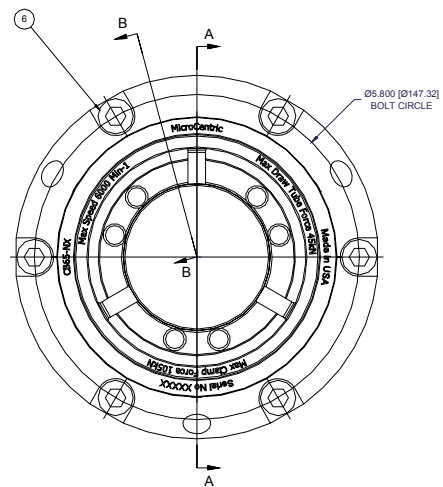
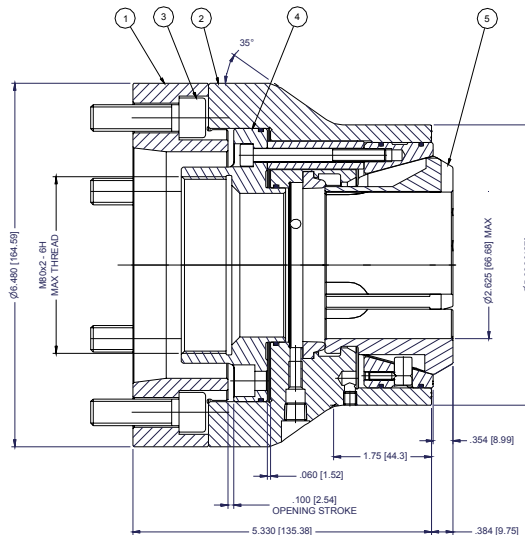
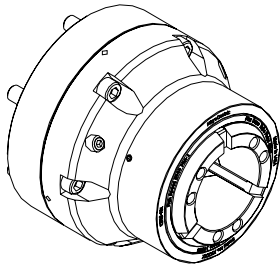
ITEM	QTY	DESCRIPTION
1	1	A2-5 SPINDLE ADAPTER PLATE
2	1	CB65-NX CHUCK BODY ASSEMBLY
3	6	M10 X 20MM SOCKET HEAD CAP SCREWS
4	1	DRAW TUBE CONNECTOR - THREAD AS REQUIRED
5	1	SK65BZI COLLET - BORE SIZE AS REQUIRED
6	6	M10 X 35MM SOCKET HEAD CAP SCREWS

# CB65-NX/A6 Collet Chuck

## Specifications

Spindle Nose	A2-6
Collet Model	65BZI
Accuracy (Max Radial Runout)	.0004" / 0.010mm
Collet Capacity (Max Clamping Diameter)	2.625" / 66mm
Collet Capacity (Min Clamping Diameter)	.156" / 4mm
Collet Clamp Range	+/- .020" / 0.5mm
Required Draw Tube Stroke	.160" / 4mm
Max Draw Tube Force	10,116 lbs / 45 kN
Max Clamping Force	23,605 lbs / 105 kN
Maximum Speed	6,000 rpm
Chuck Weight	27.7 lbs / 12.6 kg

## Dimensions



ITEM	QTY	DESCRIPTION
1	1	A2-6 SPINDLE ADAPTER PLATE
2	1	CB65-NX CHUCK BODY ASSEMBLY
3	6	M12 X 40 MM SOCKET HEAD CAP SCREWS
4	1	DRAW TUBE CONNECTOR - THREAD AS REQUIRED
5	1	SK65BZI COLLET - BORE SIZE AS REQUIRED
6	6	M10 X 35MM SOCKET HEAD CAP SCREWS

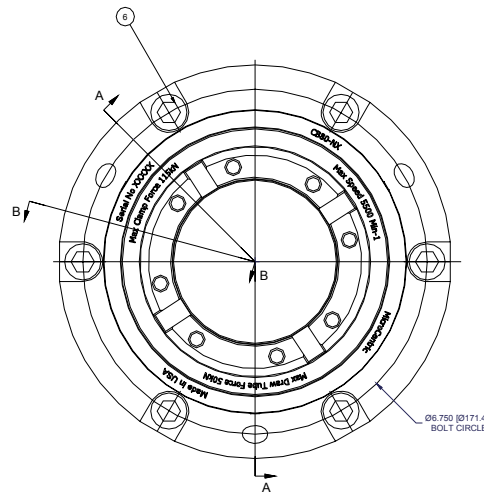
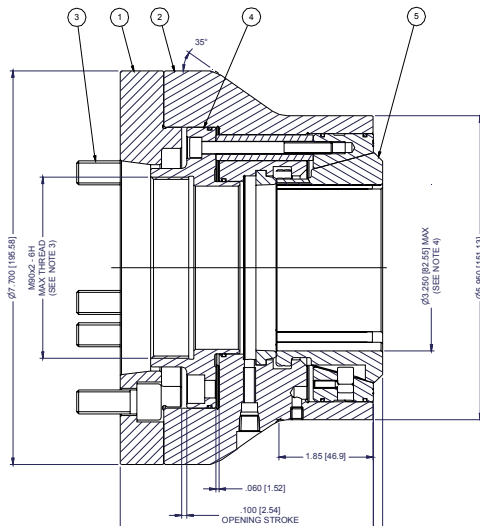
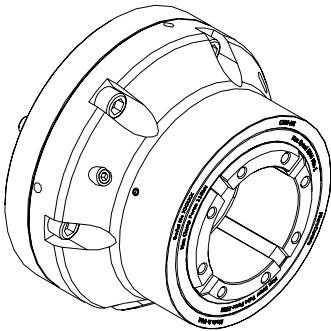


# CB80-NX/A6 Collet Chuck

## Specifications

<b>Spindle Nose</b>	A2-6
<b>Collet Model</b>	80BZI
<b>Accuracy (Max Radial Runout)</b>	.0004" / 0.010mm
<b>Collet Capacity (Max Clamping Diameter)</b>	3.250" / 82.5mm
<b>Collet Capacity (Min Clamping Diameter)</b>	.500" / 12mm
<b>Collet Clamp Range</b>	+/- .020" / 0.5mm
<b>Required Draw Tube Stroke</b>	.160" / 4mm
<b>Max Draw Tube Force</b>	11,240 lbs / 50 kN
<b>Max Clamping Force</b>	25,853 lbs / 115 kN
<b>Maximum Speed</b>	6,000 rpm
<b>Chuck Weight</b>	35.6 lbs / 16.1 kg

## Dimensions



ITEM	QTY	DESCRIPTION
1	1	A2-6 SPINDLE ADAPTER PLATE
2	1	CB65-NX CHUCK BODY ASSEMBLY
3	6	M12 X 30MM SOCKET HEAD CAP SCREWS
4	1	DRAW TUBE CONNECTOR - THREAD AS REQUIRED
5	1	SK65BZI COLLET - BORE SIZE AS REQUIRED
6	6	M12 X 35MM SOCKET HEAD CAP SCREWS





MicroCentric Corporation  
25 So. Terminal Drive, Plainview, NY 11803-2303 • USA  
Tel: 516-349-7220 • Fax: 516-349-9354 • e-mail: [sales@MicroCentric.com](mailto:sales@MicroCentric.com)  
**1-800-573-1139 • [www.microcentric.com](http://www.microcentric.com)**

MicroCentric GmbH  
Postfach 1337 • Berblinger Str. 16 • 71254 Ditzingen • Germany  
Tel: 07156/17819-0 • Fax: 07156/17819-20 • e-mail: [info@MicroCentric.de](mailto:info@MicroCentric.de)  
**[www.microcentric.de](http://www.microcentric.de)**